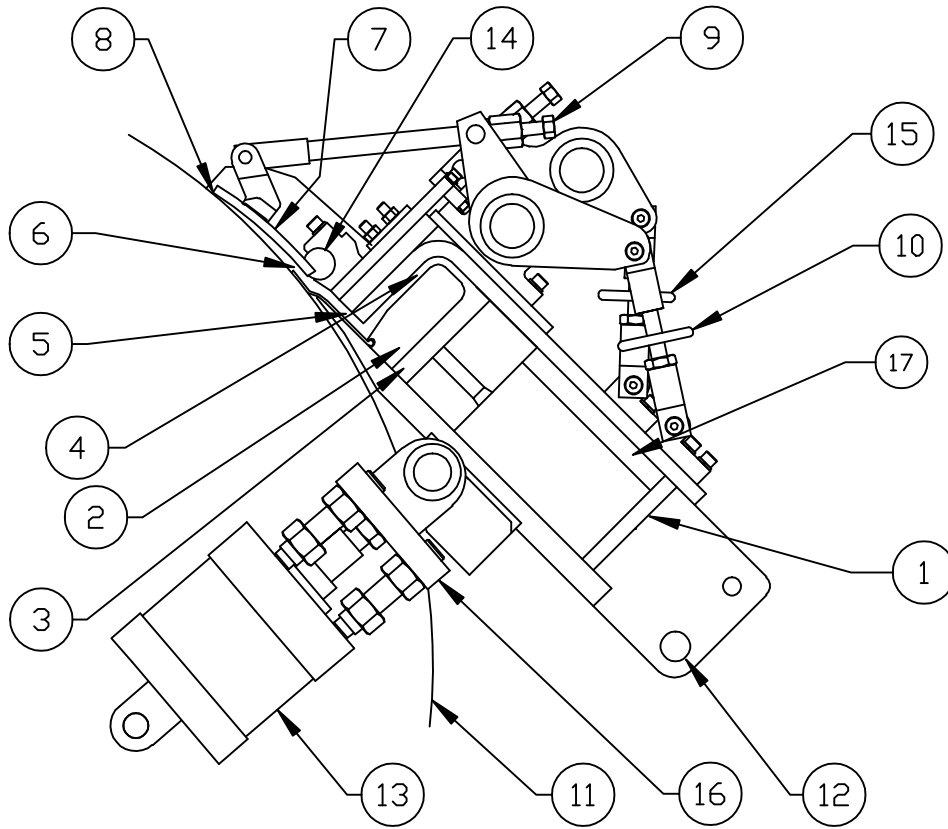


SECTION III
FORMER ELEMENTS & PASSAGES
MODEL HP 2100VTK



HORNE VT PRESSURE FORMER
WITH TAPERED INLET

1		TAPERED MANIFOLD	
2		HORSESHOE BAFFLE	
3		CONVERGING ENTRANCE OF DIFFUSER	
4		HORSESHOE CHANNEL	
5		DIVERGING END OF DIFFUSER	
6		THROAT	
7		LID	
8		LID TIP	
9		FINE LID TIP ADJUSTING SCREWS	
10		LID ENCLOSURE ADJUSTMENT	
11		CYLINDER MOULD	
12		FORMER PIVOT PIN	
13		AIR CYLINDER	
14		LID KNUCKLE	
15		VARIABLE THROAT ADJUSTMENT	
16		3 POINT POSITIVE ADJ. STOPS	
17		TOP INSERT	